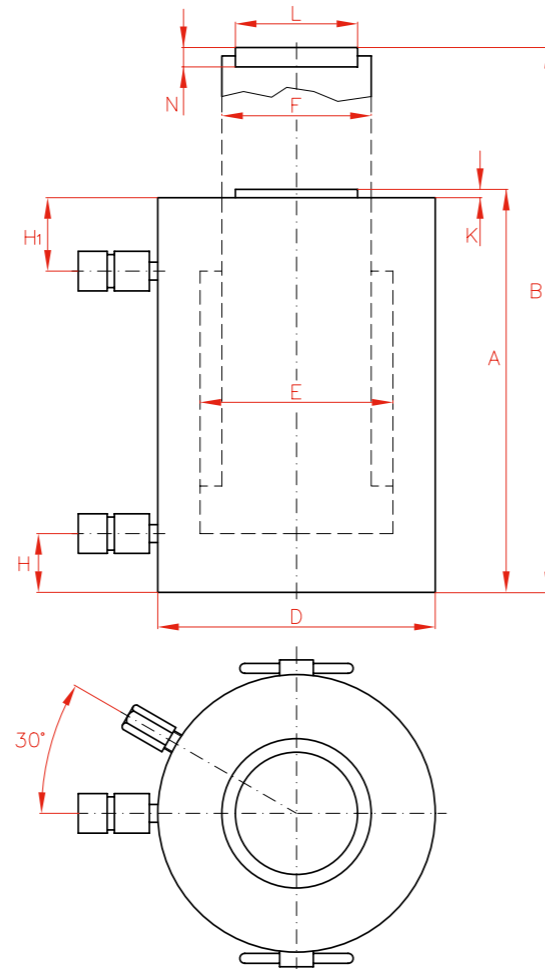


DOUBLE ACTING HIGH TONNAGE CYLINDERS

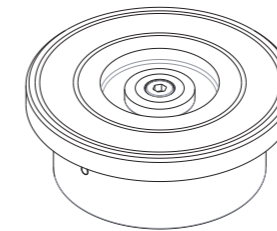


- ✓ Capacity from 50 to 1.000 Tn, stroke up to 300 mm.
- ✓ Safety valve on the retract side to prevent accidental over-pressure.
- ✓ On request, DDC cylinders can be supplied with threads or other special features such as lock nuts, sleeves, etc.
- ✓ Models available up to 2.000 Tn lifting capacity per cylinder as a special.
- ✓ Other strokes available upon request.



OPTIONAL TILTING SADDLES

Model	Cylinder
CATS50	DDC050
CATS100	DDC100
CATS150	DDC140
CATS200	DDC220
CATS300	DDC300
CATS400	DDC400
CATS500	DDC500
CATS600	DDC600
CATS800	DDC800
CATS1000	DDC1000



D/A HIGH TONNAGE CYLINDERS



Type	DDC
Capacity	50 - 1.000 Tn
Stroke	50 - 300 mm
Max. pressure	700 bar

DDC CYLINDERS

Capacity	Stroke	Model	Oil Cap.	A	B	D	E	F	H	H1	K	L	N	Area	Weight
Tn (kN)	mm	LARZEP	cm ³	mm	mm	mm	mm	mm	mm	mm	mm	mm	mm	cm ²	kg
51 (496)	50	DDC05005	354	206	256	125	95	75	25	75	6	50	20	70,9	19
	150	DDC05015	1.063	306	456	125	95	75	25	75	6	50	20	70,9	26
	300	DDC05030	2.126	461	761	125	95	75	25	80	6	50	20	70,9	38
95 (929)	50	DDC10005	664	196	246	170	130	100	30	60	6	75	20	132,7	33
	150	DDC10015	1.991	296	446	170	130	100	30	60	6	75	20	132,7	46
	300	DDC10030	3.982	451	751	170	130	100	30	65	6	75	20	132,7	67
144 (1.407)	50	DDC14005	1.005	213	263	210	160	110	40	65	6	94	20	201,1	53
	150	DDC14015	3.016	318	468	210	160	110	40	70	6	94	20	201,1	74
	300	DDC14030	6.032	478	778	210	160	110	40	80	6	94	20	201,1	104
224 (2.199)	50	DDC22005	1.571	233	283	260	200	140	50	75	6	113	25	314,2	90
	150	DDC22015	4.712	333	483	260	200	140	50	75	6	113	25	314,2	120
	300	DDC22030	9.425	498	798	260	200	140	50	85	6	113	25	314,2	169
310 (3.036)	50	DDC30005	2.169	251	301	305	235	200	55	85	8	140	30	433,7	137
	150	DDC30015	6.506	357	507	305	235	200	55	85	8	140	30	433,7	189
	300	DDC30030	13.012	512	812	305	235	200	55	85	8	140	30	433,7	263
409 (4.008)	50	DDC40005	2.863	275	325	350	270	220	65	95	10	159,5	30	572,6	197
	150	DDC40015	8.588	382	532	350	270	220	65	95	10	159,5	30	572,6	262
	300	DDC40030	17.177	538	838	350	270	220	65	95	10	159,5	30	572,6	357
522 (5.114)	50	DDC50005	3.653	305	355	400	305	250	75	110	10	179,5	30	730,6	287
	150	DDC50015	10.959	410	560	400	305	250	75	110	10	179,5	30	730,6	371
	300	DDC50030	21.918	566	866	400	305	250	75	110	10	179,5	30	730,6	496
611 (5.987)	50	DDC60005	4.276	315	365	430	330	270	80	115	10	195	30	855,3	342
	150	DDC60015	12.829	420	570	430	330	270	80	115	10	195	30	855,3	440
	300	DDC60030	25.659	576	876	430	330	270	80	115	10	195	30	855,3	583
831 (8.149)	50	DDC80005	5.821	335	385	505	385	320	95	120	10	225	30	1.164,2	504
	150	DDC80015	17.462	446	596	505	385	320	95	120	10	225	30	1.164,2	649
	300	DDC80030	34.925	606	906	505	385	320	95	120	10	225	30	1.164,2	858
1.085 (10.644)	50	DDC100005	7.603	365	415	570	440	340	105	130	10	250	30	1.520,5	696
	150	DDC100015	22.808	476	626	570	440	340	105	130	10	250	30	1.520,5	869
	300	DDC100030	45.616	636	936	570	440	340	105	130	10	250	30	1.520,5	1.116