

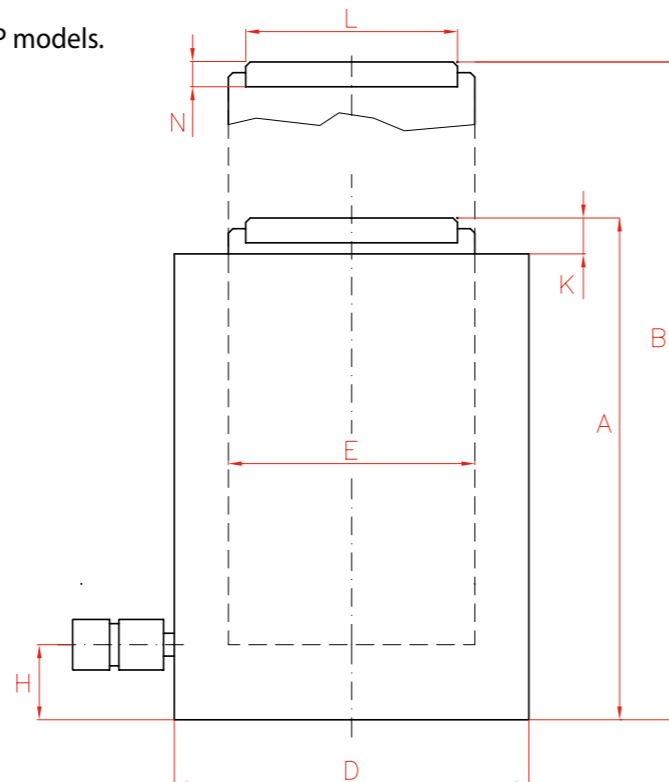
SINGLE ACTING LOW HEIGHT CYLINDERS, HIGH TONNAGE, LOAD RETURN



- ✓ Capacity from 140 to 1.000 Tn, stroke up to 300 mm.
- ✓ Load return. For weighing, lifting and positioning applications in Civil Engineering.
- ✓ Hydraulic end of stroke overflow port. Without stop ring. Red band warning.
For mechanical stop ring see SPC models.
- ✓ For confined spaces and loads up to 150 Tn, see SX and SP models.
- ✓ Black nitrided body, up to 220 Tn.
- ✓ Other strokes available upon request.

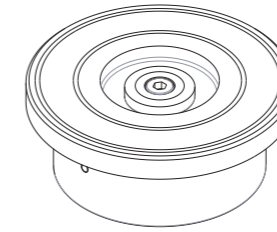


Larzep designs and manufactures special cylinders up to 1.000 Tn capacity to place load cells for pile testing applications.



OPTIONAL TILTING SADDLES

Model	Cylinder
CATS150	SSC140
CATS200	SSC220
CATS300	SSC300
CATS400	SSC400
CATS500	SSC500
CATS600	SSC600
CATS800	SSC800
CATS1000	SSC1000



S/A LOAD RETURN CYLINDERS



Type	SSC
Capacity	140 - 1.000 Tn
Stroke	50 - 300 mm
Max. pressure	700 bar

SSC CYLINDERS

Capacity Tn (kN)	Stroke mm	Model LARZEP	Oil Cap. cm ³	A mm	B mm	D mm	E mm	H mm	K mm	L mm	N mm	Area cm ²	Weight kg
144 (1.407)	50	SSC14005	1.005	160	210	210	160	40	6	94	20	201,1	43
	150	SSC14015	3.016	274	424	210	160	40	6	94	20	201,1	74
	300	SSC14030	6.032	430	730	210	160	40	6	94	20	201,1	116
224 (2.199)	50	SSC22005	1.571	180	230	260	200	50	6	113	20	314,2	75
	150	SSC22015	4.712	291	441	260	200	50	6	113	20	314,2	120
	300	SSC22030	9.425	451	751	260	200	50	6	113	20	314,2	187
310 (3.036)	50	SSC30005	2.169	193	243	305	235	55	8	140	30	433,7	110
	150	SSC30015	6.506	309	459	305	235	55	8	140	30	433,7	176
	300	SSC30030	13.012	469	769	305	235	55	8	140	30	433,7	267
409 (4.008)	50	SSC40005	2.863	215	265	350	270	65	10	159	30	572,6	161
	150	SSC40015	8.588	325	475	350	270	65	10	159	30	572,6	244
	300	SSC40030	17.177	485	785	350	270	65	10	159	30	572,6	364
522 (5.114)	50	SSC50005	3.653	225	275	400	305	70	10	179	30	730,6	221
	150	SSC50015	10.959	335	485	400	305	70	10	179	30	730,6	329
	300	SSC50030	21.918	495	795	400	305	70	10	179	30	730,6	486
611 (5.987)	50	SSC60005	4.276	236	286	430	330	80	10	194	30	855,3	268
	150	SSC60015	12.829	346	496	430	330	80	10	194	30	855,3	393
	300	SSC60030	25.659	506	806	430	330	80	10	194	30	855,3	574
831 (8.149)	50	SSC80005	5.821	263	313	505	385	95	10	224	30	1.164,2	411
	150	SSC80015	17.462	373	523	505	385	95	10	224	30	1.164,2	583
	300	SSC80030	34.925	533	833	505	385	95	10	224	30	1.164,2	834
1.085 (10.644)	50	SSC100005	7.603	292	342	570	440	105	10	249	30	1.520,5	582
	150	SSC100015	22.808	402	552	570	440	105	10	249	30	1.520,5	801
	300	SSC100030	45.616	573	873	570	440	105	10	249	30	1.520,5	1.142